

META 250

A great home addition. This perfectly sized lift has been designed based on the requirements of a residential property, optimising the usable space within the home.

CABIN

- Range of skinplate colours
- Range of stainless steel, smooth or textured finishes
- Glass cabin walls*
- Choice of flooring, Granite, Linoleum, or customers own.
- Bespoke cabins available

DOORS

- **Sliding doors**
 - Prisma operator with DC drive and encoder
 - 2 panel, 3 panel and centre opening
 - Range of skinplate colours
 - Range of stainless steel, smooth or textured finishes
 - Glass doors
 - Fire rated
- **Swing Doors**
 - Solid door, vision panel door, full glass panel door
 - Full glass aluminium door
 - Range of RAL colours
 - Range of stainless steel, smooth or textured finishes
 - Frameless glass doors
 - Fire rated
- **Eco Bus Doors** (for use with swing doors for one touch operation)
 - Wide range of door panel finishes
 - Light, strong and reliable design
- Bespoke doors available

LIFT STRUCTURE

- Indoor or outdoor
- Powder coated steel, stainless steel or Aluminium
- Range of standard colours
- Bespoke RAL colours
- Cladding
 - Metal cladding
 - Externally beaded glass panels
 - External mounted glass with pin fixings
- Ladder frame option

STANDARD FEATURES

- LED energy saving Spot lights
- Emergency lowering and light in case of power cut
- Tactile and braille buttons with LED halo
- Hydro jack with rupture valve Locks EN 81 – EC Arrestor equipment
- Lock system with electronic control to allow safe access to pit
- Key selector in car or landings
- Handrails
- Mirror
- Display in car and landings (LED display with scrolling arrows)
- Voice synthesizer (Floor selection and direction)

SPECIFICATION

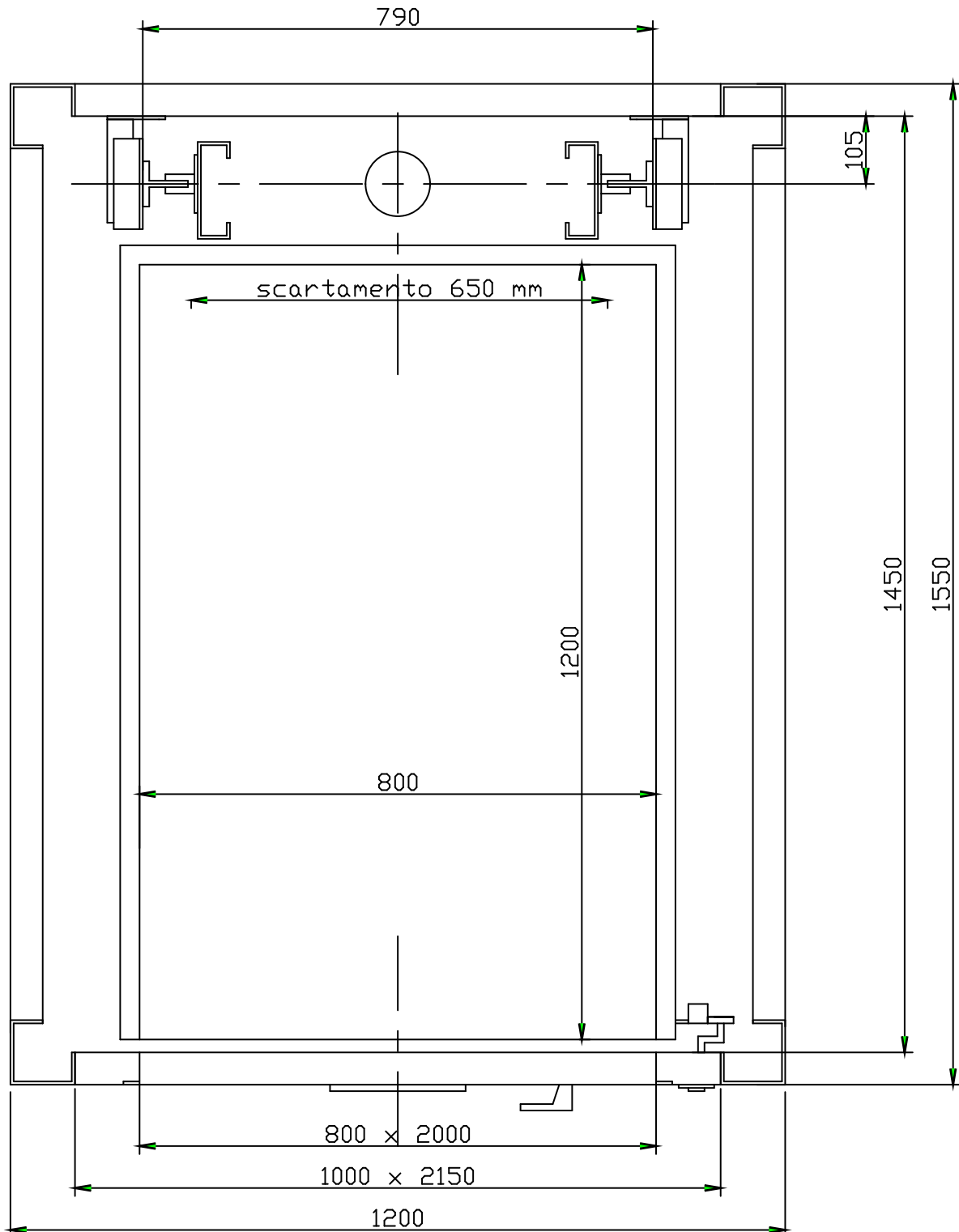
Conformity:	Machine directive 2006/42/ec, BS6440, EN81 – 41, DDA compliant
Car Size:	With swing doors - Min 700x700, Max 1300x1600 or 1000x2000 With auto sliding doors - Min 700x1200, Max 1100x1400 Other sizes are available
Speed:	0.15 m/per second for CE, 0.3m/ per second non CE.
Power:	220v, single phase, 1kW
Max Travel:	14.6m – unlimited stops
Rated Load:	2 people, 250kg
Shaft Types:	Existing pre-built or steel structure
Pit:	150mm
Headroom:	2.5m with sliding doors, 2.35m with swing doors
Configuration:	Single, through or adjacent
Controls:	One touch
Application:	Indoor or outdoor



*depending on cabin size and door options

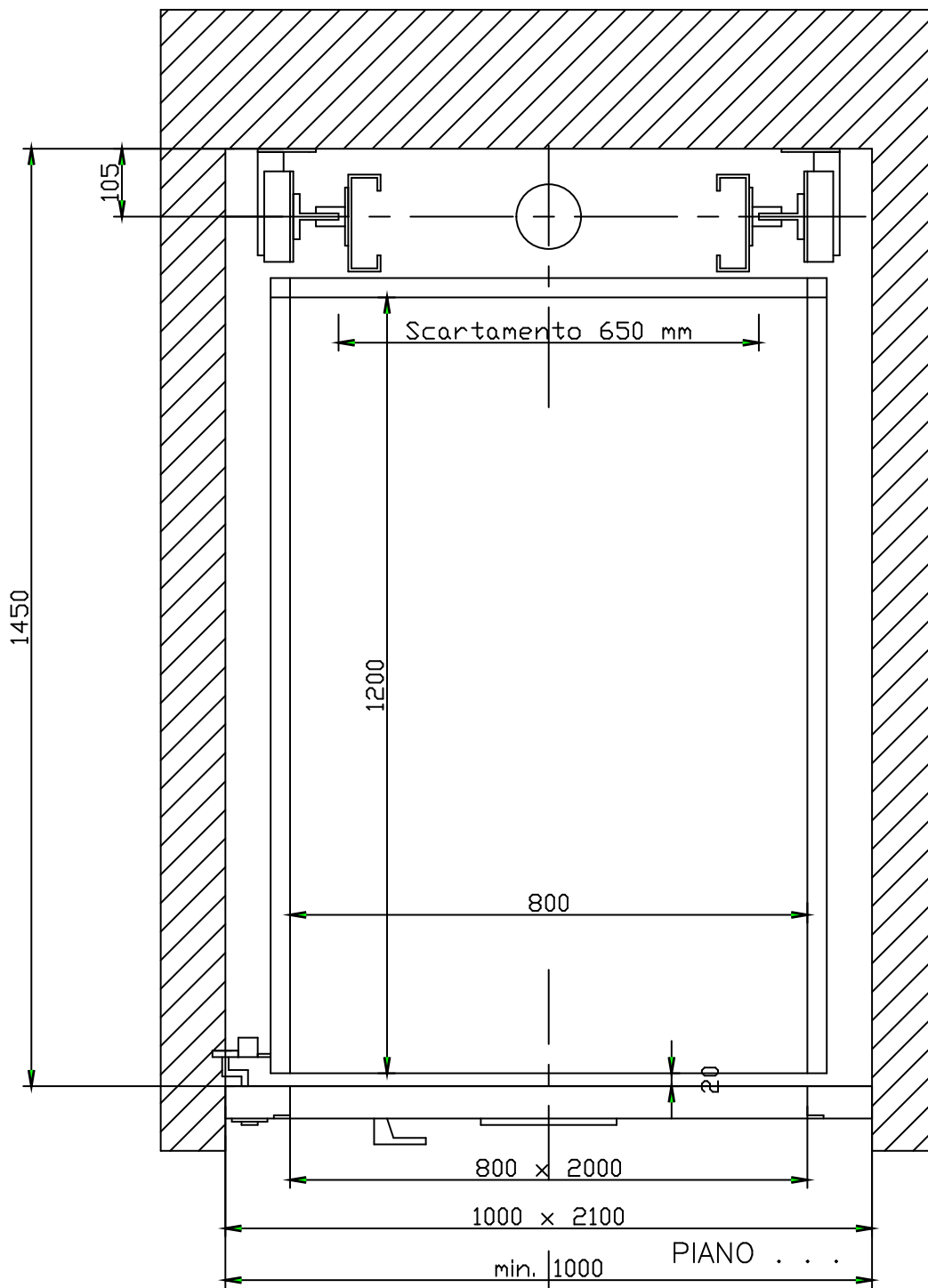
META 250

Shaft - Steel Structure
Cabin size - 800 x 1200mm
Entry - Single
Doors - Swing door, 800mm



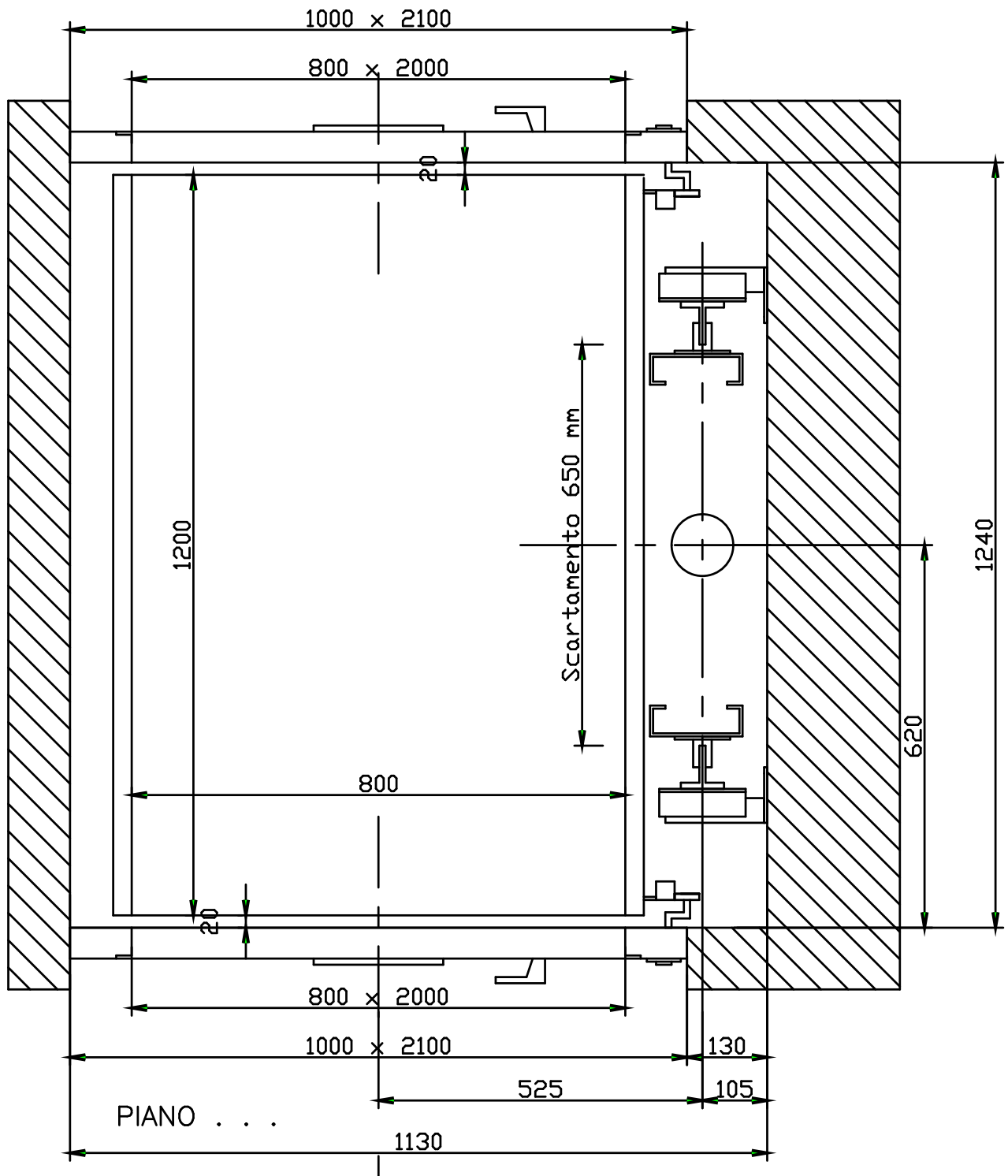
META 250

- Shaft - Brick/Concrete
- Cabin size - 800 x 1200mm
- Entry - Single
- Doors - Swing door, 800mm



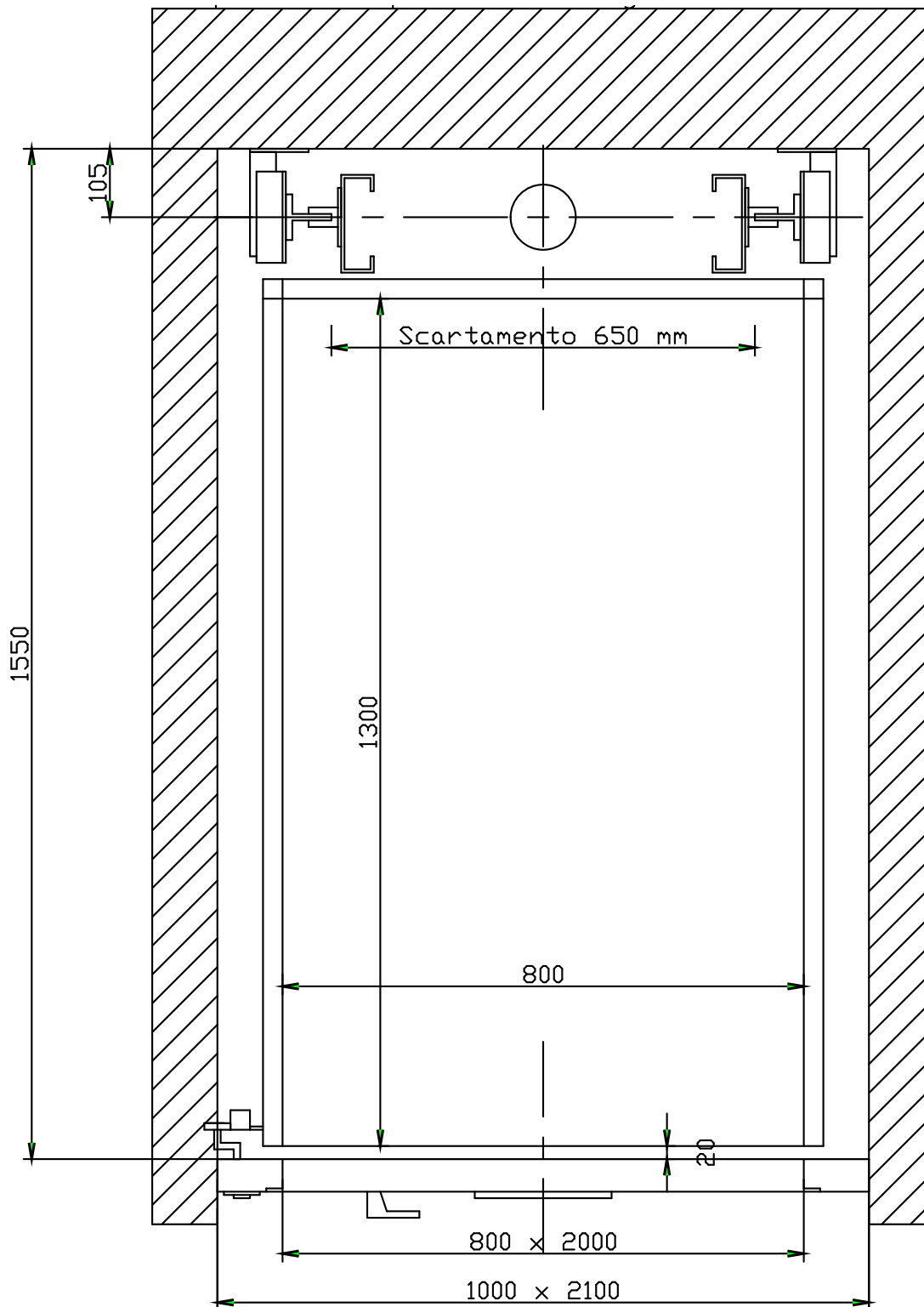
META 250

- Shaft** - Brick/Concrete
- Cabin size** - 800 x 1200mm
- Entry** - Through
- Doors** - Swing door, 800mm



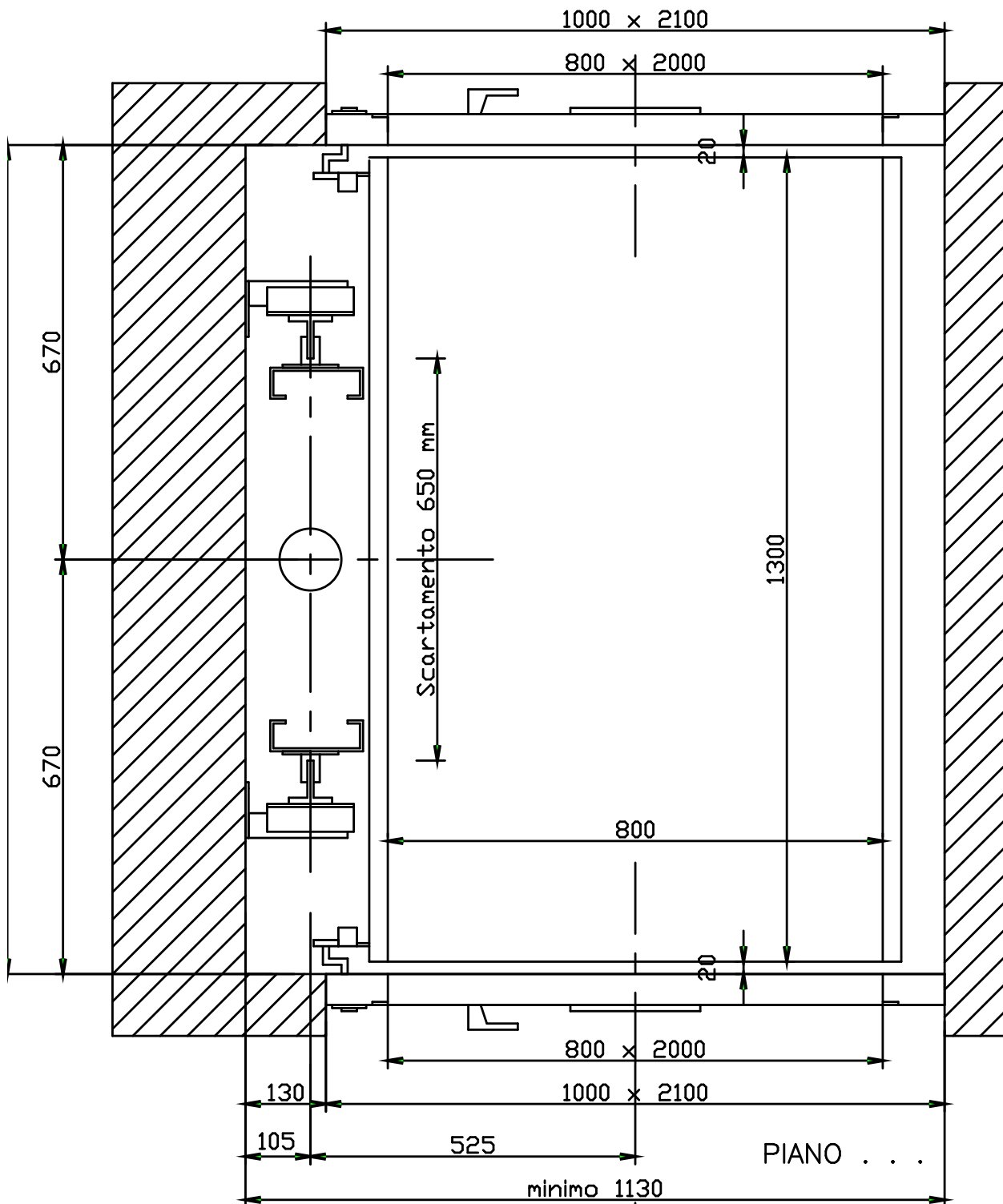
META 250

Shaft - Brick/Concrete
Cabin size - 800 x 1300mm
Entry - Single
Doors - Swing door, 800mm



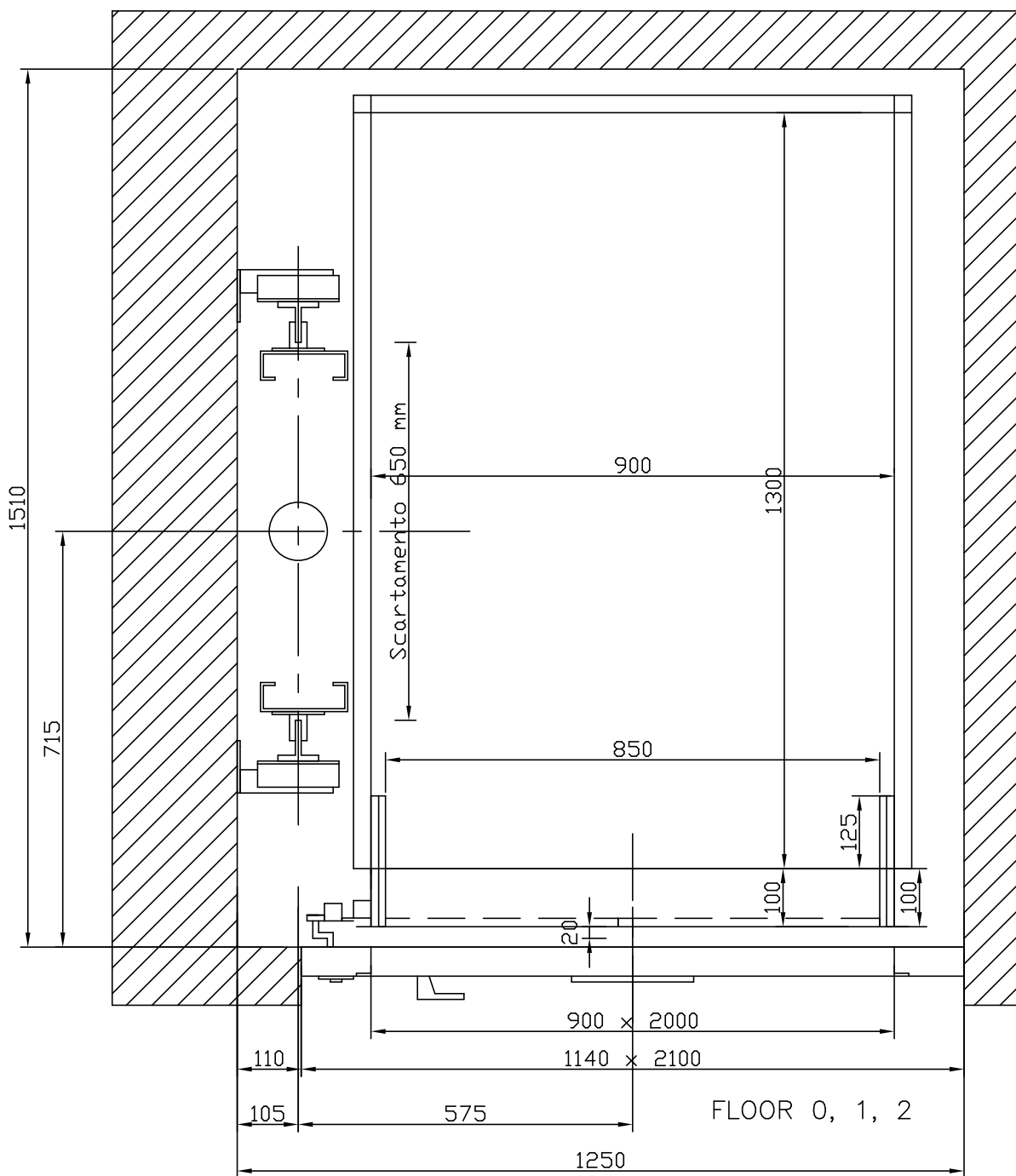
META 250

Shaft - Brick/Concrete
Cabin size - 800 x 1300mm
Entry - Through
Doors - aSwing door, 800mm



META 250

- Shaft** - Brick/Concrete
- Cabin size** - 900 x 1300mm
- Entry** - Single (Inc Bus Door)
- Doors** - Swing door, 900mm



META 250

- Shaft** - Brick/Concrete
- Cabin size** - 900 x 1300mm
- Entry** - Single
- Doors** - Swing door, 900mm

